

CONSCIOUS CONFERENCE PACKAGE

CONFERENCE & ACCOMMODATION RATES

Spier is committed to creating innovative models to enable businesses to develop and succeed in harmony with nature and society. Our Conscious Conference Package enables you to join us in this quest by supporting local industry, fair trade and our commitment to a sustainable planet. And your delegates will have a great experience in the process!



DAY CONFERENCING RATES

VALIDITY : 01 JANUARY - 31 DECEMBER 2012

FULL DAY CONFERENCE PACKAGE

R 370.00

In the Conference Room

Natural light and fresh air
Mineral water in recyclable bottles or filtered tank/jug water option
Fresh seasonal fruit bowls
Standard AV equipment (i.e. data projector, PA system, standing line microphone, screen, lectern, flipchart, pens and recyclable note paper)
Room hire (excluding breakaway facilities and exhibition space)

On Arrival

Variety of teas and organic rooibos served with sliced lemon and honey
Avanti filter coffee – supporting fair farming practices
Homemade snacks

Mid-morning Refreshment Break

Variety of teas and organic rooibos served with sliced lemon and honey
Avanti filter coffee – supporting fair farming practices
Healthy snack options

Chef's Selection Lunch

(casual stand around only)
To include fresh, seasonal, organic and local produce

Afternoon Refreshment Break

Variety of teas and organic rooibos served with sliced lemon and honey
Avanti filter coffee – supporting fair farming practices
Freshly baked cookies from the Khayelitsha Cookie Company (KCC) – a social upliftment project which hires previously unemployed women from Khayelitsha, providing skills, training and permanent, affirming employment.

HALF DAY CONFERENCE PACKAGE INCLUDING LUNCH

R 345.00

Includes the same as above except afternoon refreshment break

HALF DAY CONFERENCE PACKAGE EXCLUDING LUNCH

R 235.00

Includes the same as above except lunch & afternoon refreshment break



Entrance to
Conferencing Facilities

DAY CONFERENCING RATES

STANDARD INCLUSIONS

The journey begins with an electronic booking system to eliminate paper and unnecessary travel – and is carried through at the actual conference. We seek your commitment too!

Marked bins for fruit waste, recyclable and non-recyclable litter are available in the public areas.

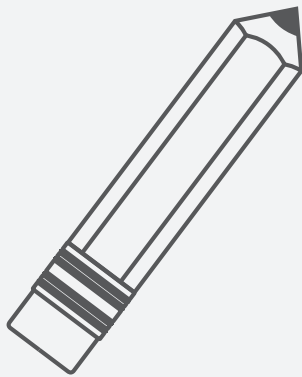
Stationery basket for delegates to donate their Spier conference pens and notepads (after conference).

These are then distributed to local schools and communities.

Hand-crafted stationery kit for every conference organiser for the duration of the conference.

OPTIONAL EXTRAS

Support locally crafted corporate gifts and lanyards. On request, we will put you in contact with a social upliftment company to tailor-make your corporate handouts.



From conference stationery to school necessities.

At the end of the conference, we invite you to place your leftover stationery in the specially allocated baskets.

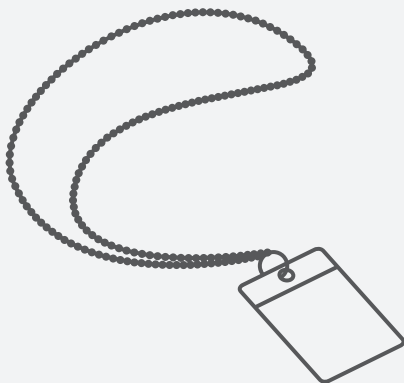
We distribute this stationery to school children from the surrounding communities.



Going Green With Vivreau

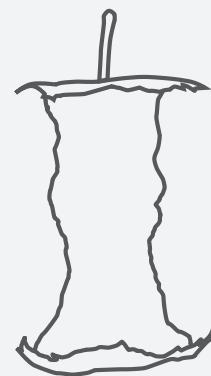
Plastic water bottles are a major environmental threat. With Vivreau, glass bottles are sterilized and reused.

This means fresh water on demand with all the essential minerals retained, no waste, no water miles, no carbon footprint and no dumping. By choosing Vivreau you can enjoy as much great tasting, clean water as you want, knowing you're nourishing your body and taking care of the environment simultaneously.



Reusing and recycling at every opportunity

Local crafted beaded lanyards are available to purchase from a social upliftment company. Conference organisers can collect lanyards after a conference for reuse at another conference or delegates can reuse it to attach their sunglasses.



Turning fruit into food for the earth

Specially allocated bins are available for all organic waste (banana peels, apple cores etc) This waste is fed to our worms in the vermiculture farm, and is then turned into compost for our gardens and grounds.

ACCOMMODATION RATES

VALIDITY: 01 JANUARY - 31 DECEMBER 2012

STANDARD ROOMS

**SINGLE
PER PERSON SHARING**

**FROM R1,050.00
FROM R575.00**

60 Square Meters; Individually controlled air conditioners; Ceiling fans; Remote controlled television and satellite TV; Electronic door locks; Hairdryer and shaver outlet 220/110 volts; Executive writing desk; Complimentary tea and coffee station; In-room safes; Separate shower and bath; Double vanity

SUPERIOR ROOMS

**SINGLE
PER PERSON SHARING**

**FROM R1,550.00
FROM R825.00**

Ten rooms selected for their prime positioning have been overhauled to include exquisite décor, fittings and special services. Included in these are the features listed above, as well as free access to Spier's new Wi-Fi service, daily delivery of a newspaper, special turndown and iPod docking, amongst other tempting benefits. Each of the rooms offers a view of the Eerste River and the picturesque Spier surrounds.

SUITES

**SINGLE
PER PERSON SHARING**

**FROM R1,850.00
FROM R975.00**

The four well-appointed and spacious suites of 110m² have been individually decorated and feature striking artworks. They all overlook the Eerste River and the Helderberg mountains beyond. The two ground floor suites open onto the gardens and entertainment areas, allowing guests the luxury of relaxing on huge wooden outdoor daybeds to appreciate the peace of the winelands setting. Apart from these benefits, the suites include all the features of both the standard and superior rooms.

GENERAL TERMS AND CONDITIONS

Rates are subject to availability at the time of booking. The accommodation rates are inclusive of full English breakfast. The above rates include 1% tourism levy and Value Added Tax (VAT). Accommodation rates are subject to currency fluctuations and therefore we reserve the right to change the rates accordingly. Prior notice will be given should this be necessary. All bookings remain provisional until a 25% non refundable deposit has been received.



Standard Room
Spier Hotel

CONTACT

CONFERENCING

Conferencing Reservations
(including group accommodation)

021 809 1100
021 809 1109 (Fax.)
conference@spier.co.za

OTHER OUTLETS

Wine Tasting	021 809 1984/44
Eight Restaurant	021 809 1188
Eight to Go / Picnics	021 809 1188
Hotel Restaurant	021 809 1913
Segway Tours	021 809 1100
Eagle Encounters	021 858 1826
Camelot Spa	021 809 1931
moyo Restaurant	021 809 1133/31/90

For any after hours requests, please contact:
Hotel switchboard

021 809 1100
021 809 1134 (Fax.)



Wine Tasting at Spier